

SYSTEM **toolflex**®[©]
SYSTEM TOOLFLEX ORIGINAL • MADE IN SWEDEN



System Toolflex

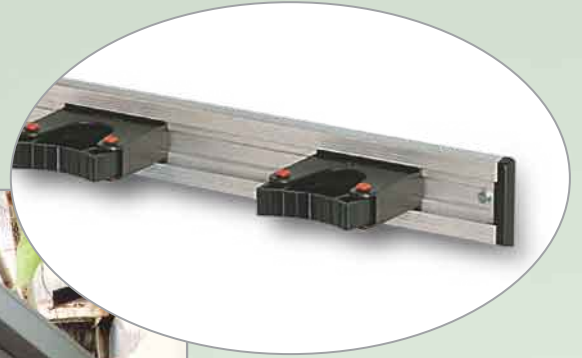
– Swedish ingenuity when you have to let things go



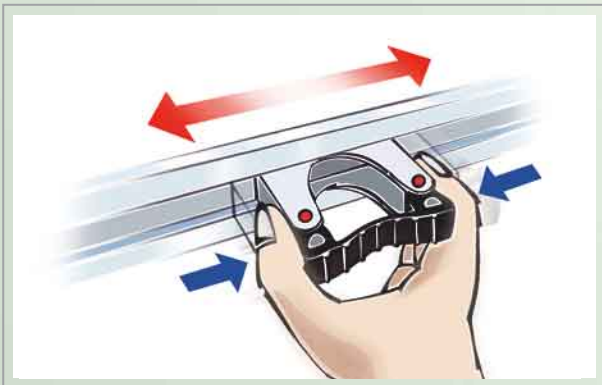
System Toolflex is a flexible series of handle and tool holders for the tool shed, garage, hobby room, cleaning cupboard, etc.

The gripper is made from flexible EPDM rubber that grasps the tool with a simple push of the hand.

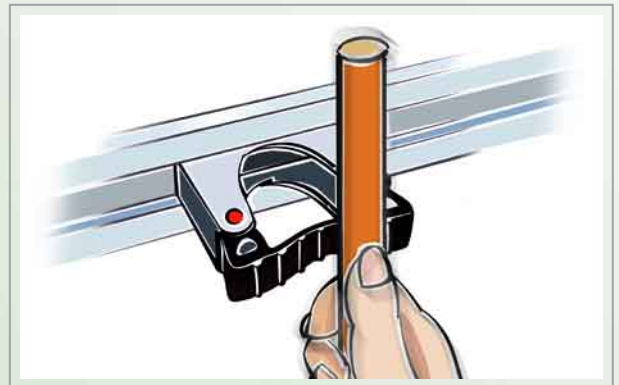
Tools and handles stay safely in place and within easy reach with System Toolflex.



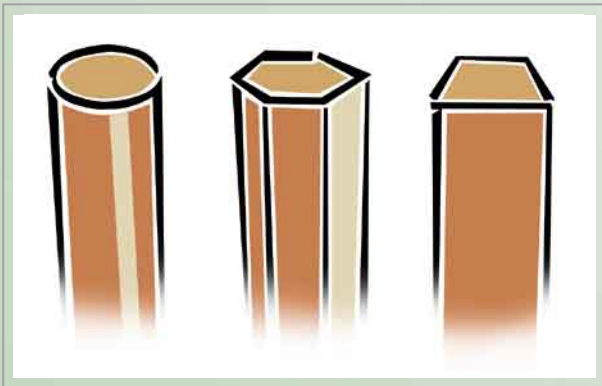
SYSTEM TOOLFLEX- helps you keep things neat and tidy.



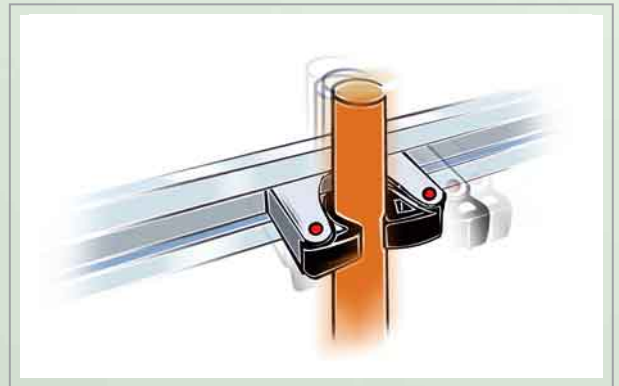
Toolflex on a rack – adjusts easily sideways and can be added to as necessary.



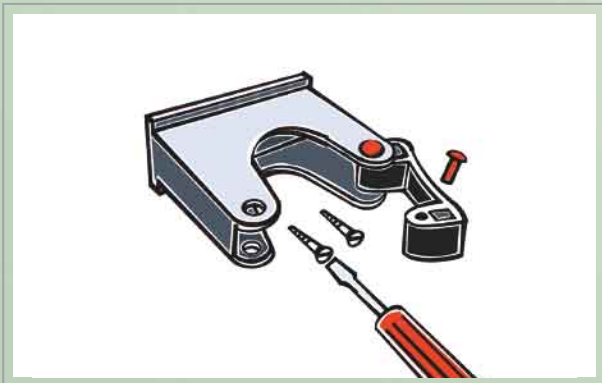
Simple to use, all it takes is a simple push of the hand.



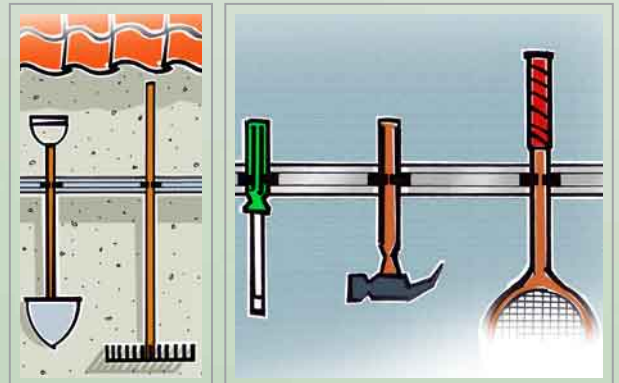
Holds different shaped handles with a firm grip.



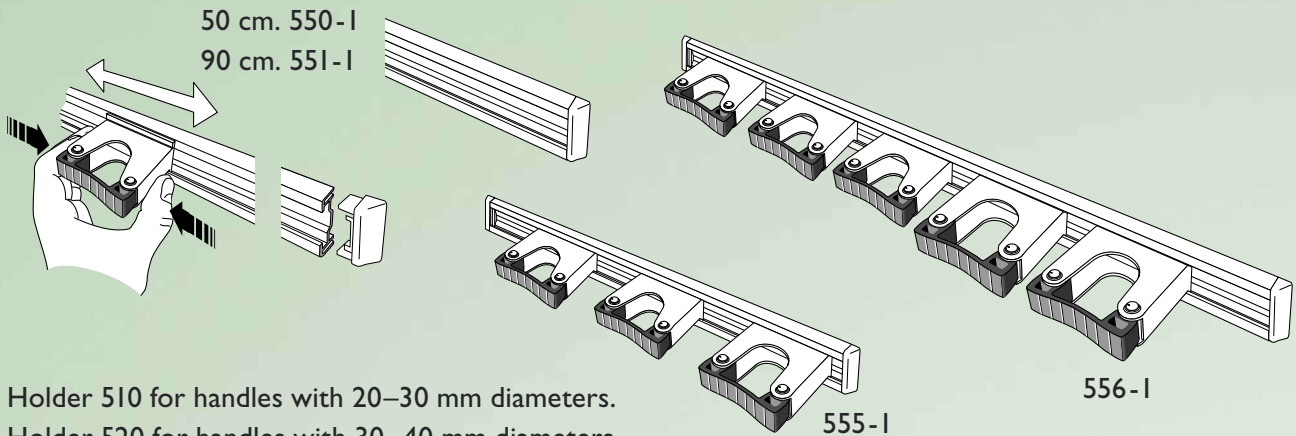
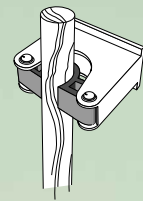
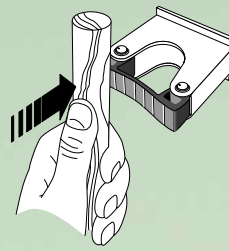
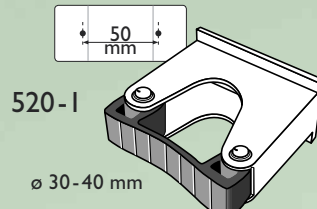
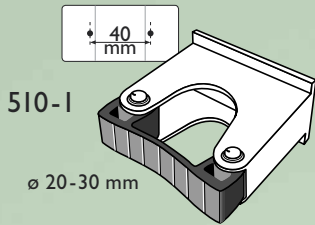
Withstands heavy weights and vibrations.



The holders are pre-designed to be mounted directly on the wall.



Can be mounted both indoors and outdoors.



Holder 510 for handles with 20–30 mm diameters.

Holder 520 for handles with 30–40 mm diameters.

Aluminum racks 550 and 551 are available in two standard lengths.

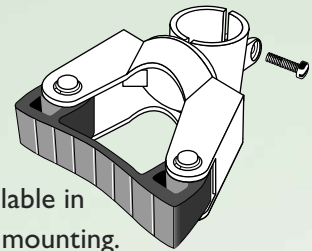
Racks 555 and 556 include holders.

More holders can be added as necessary.

A number -I after the model number indicates the standard color black.

Also available in other colors.

System Toolflex is also available in a special variation for tube mounting.



Delex

Delex Teknik AB, Forsnäsavägen, S-330 12 Forsheda, Sweden.
Tel. +46 (0)370-37 46 00 Fax. +46 (0)370-37 46 29 info@delex.se www.toolflex.com